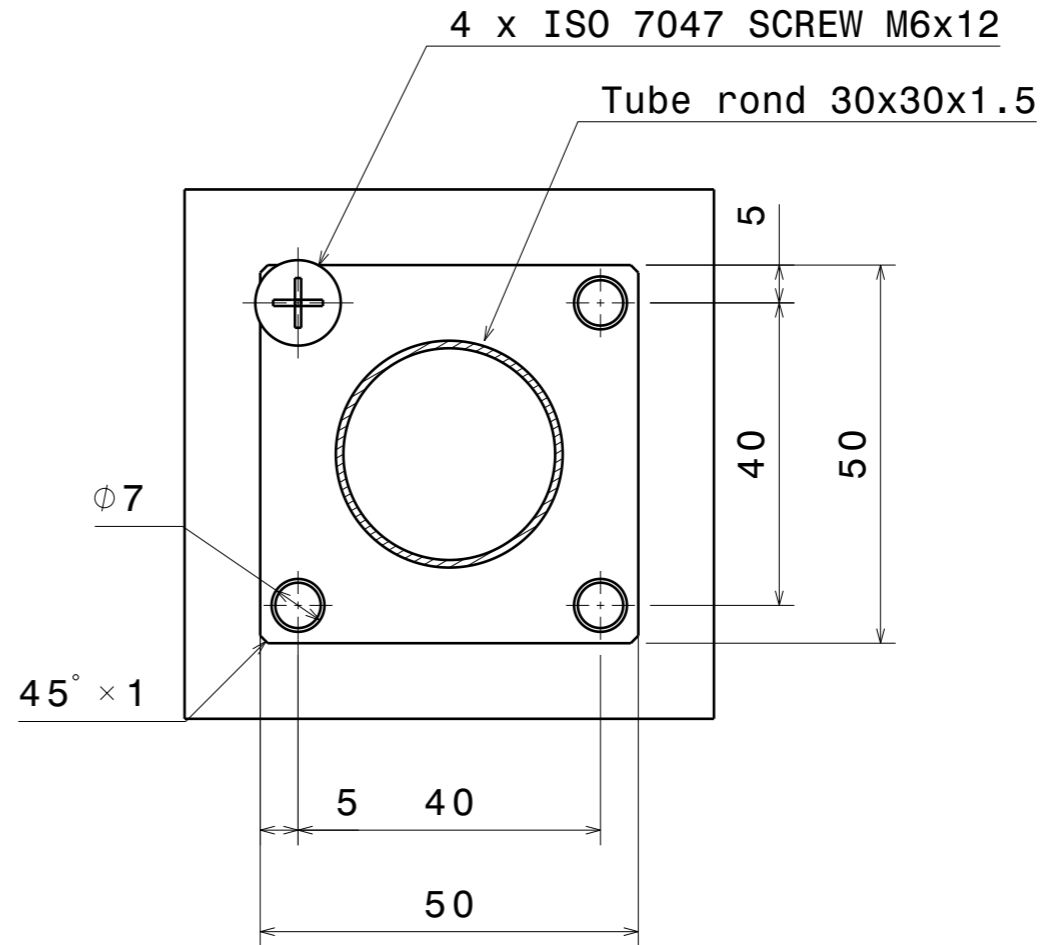


Coupe A-A
Echelle : 1:1



A	Nouvelle création		30/05/2018	BRAHIM.J
Version	Description		Date	Intervenant
This drawing is our property, it can't be reproduced or communicated without our written agreement.				
Feuille: 1/2 Folio:	Echelle: 1:5 Scale: A3	Tolérance générale: ±1mm General tolerances:	Matière: Material:	Masse: Mass:
	Nombre: 001 Numero:	Traitement: X Treatment:	Protection: X	
		Ensemble: Set:	Sous-ensemble: X Subset:	
		Pièce/Part: PIED DE FIXATION		Etabli par: BRAHIM.J
		Numéro du document/Drawing number:		Date: 30/05/2018