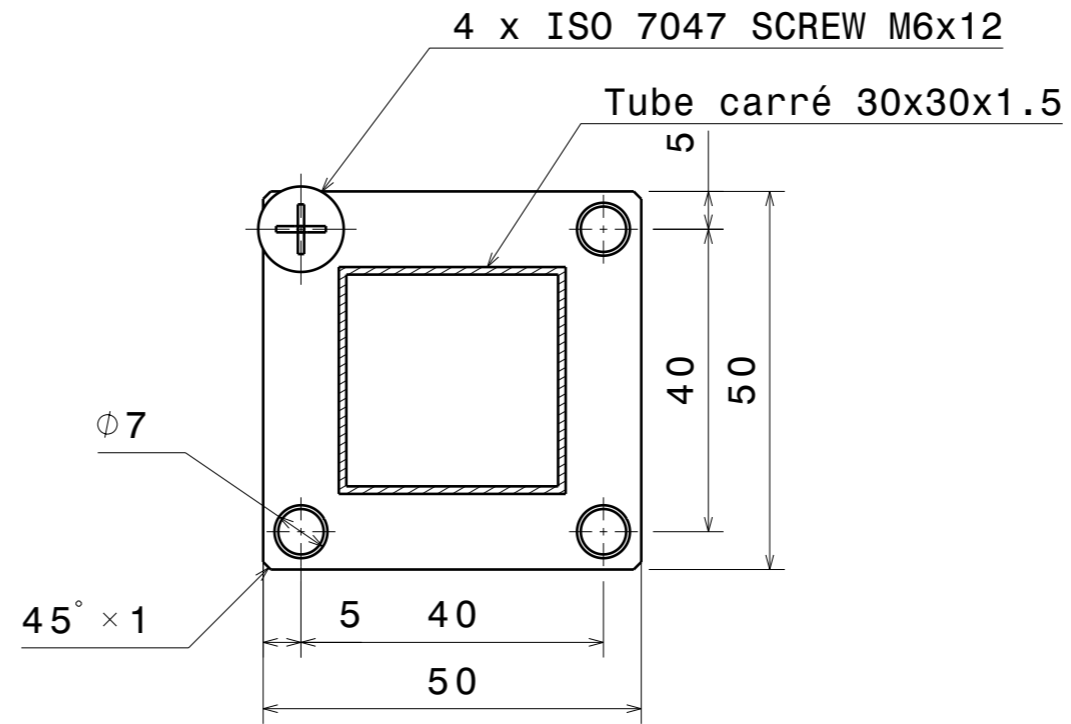
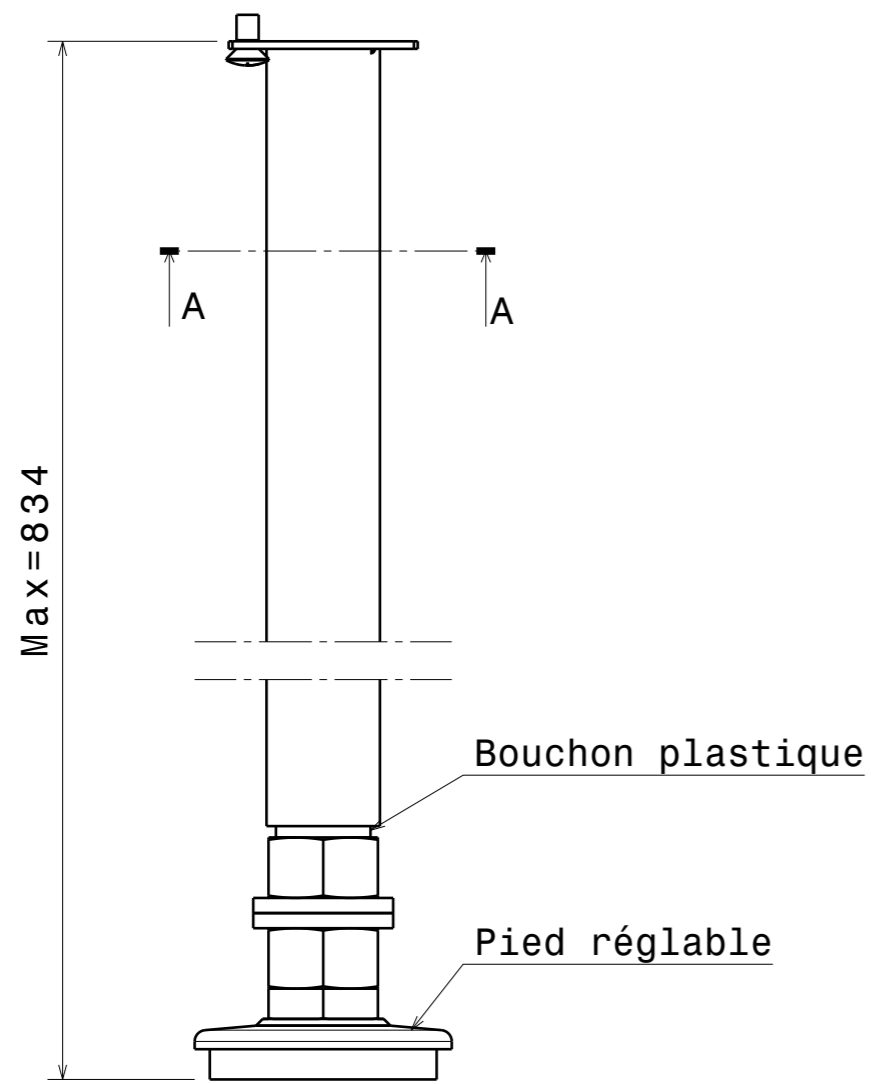


Coupe A-A
Echelle : 1:1



A	Nouvelle création		04-06-2014	A.AMMOUS
Version	Description		Date	Intervenant
<i>This drawing is our property, it can't be reproduced or communicated without our written agreement.</i>				
Feuille: 1/2 Folio:	Echelle: 1:5 A3	Tolérance générale: ±1mm General tolerances:	Matière: GRP Material:	Masse: x Mass:
	Nombre: 001 Numero:	Traitement: X Treatment:	Protection: X	
		Ensemble: PLAN VASQUE MONTREAL Set:	Sous-ensemble: X Subset:	
		Pièce/Part: Ensemble support plan vasque		Etabli par: A.AMMOUS
		Numéro du document/Drawing number: 0004062014-1		Date: 04-06-2014